

INSTRUCTION SHEET



KEPCO An ISO 9001 Company.

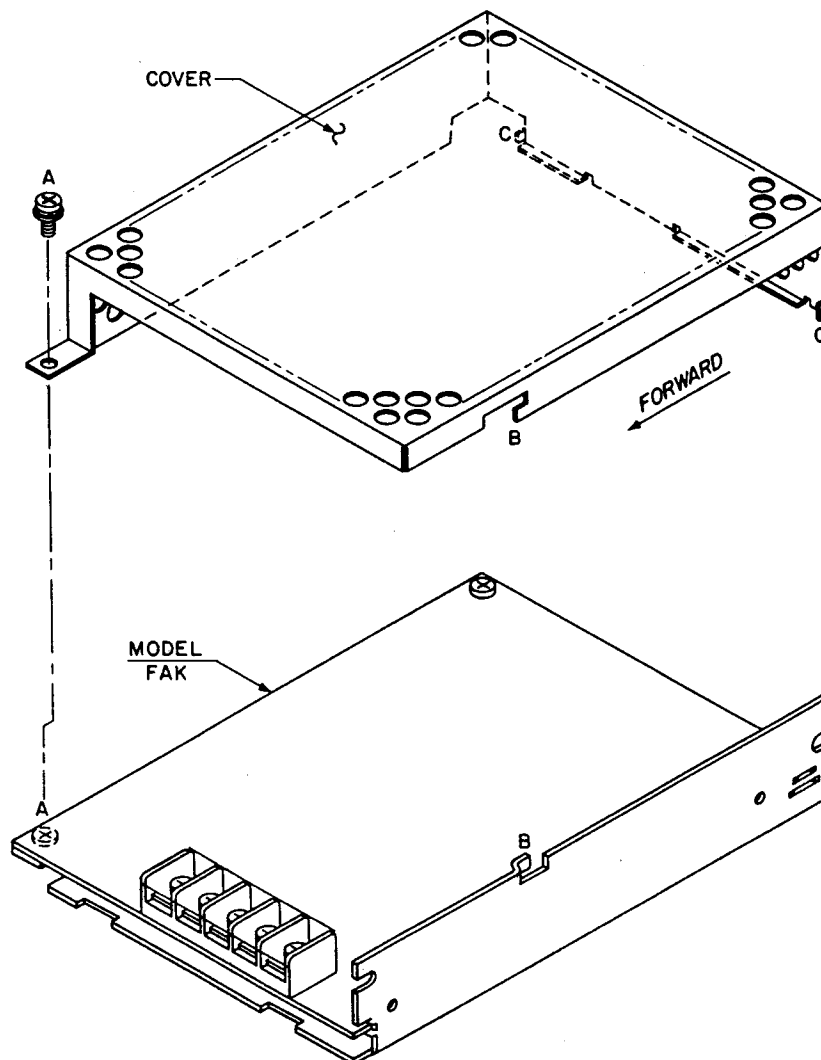
CA-23
COVER

ENCLOSURES AND HARDWARE SYSTEMS

DESCRIPTION: The Kepeco Model CA-23 Cover is supplied for use with the Kepeco FAK 50 Watt series of switching power supplies. The easily installed finished steel one-piece cover is a separate option designed for shielding and protection. The cover is attached with one screw from the FAK PCB Mounting.

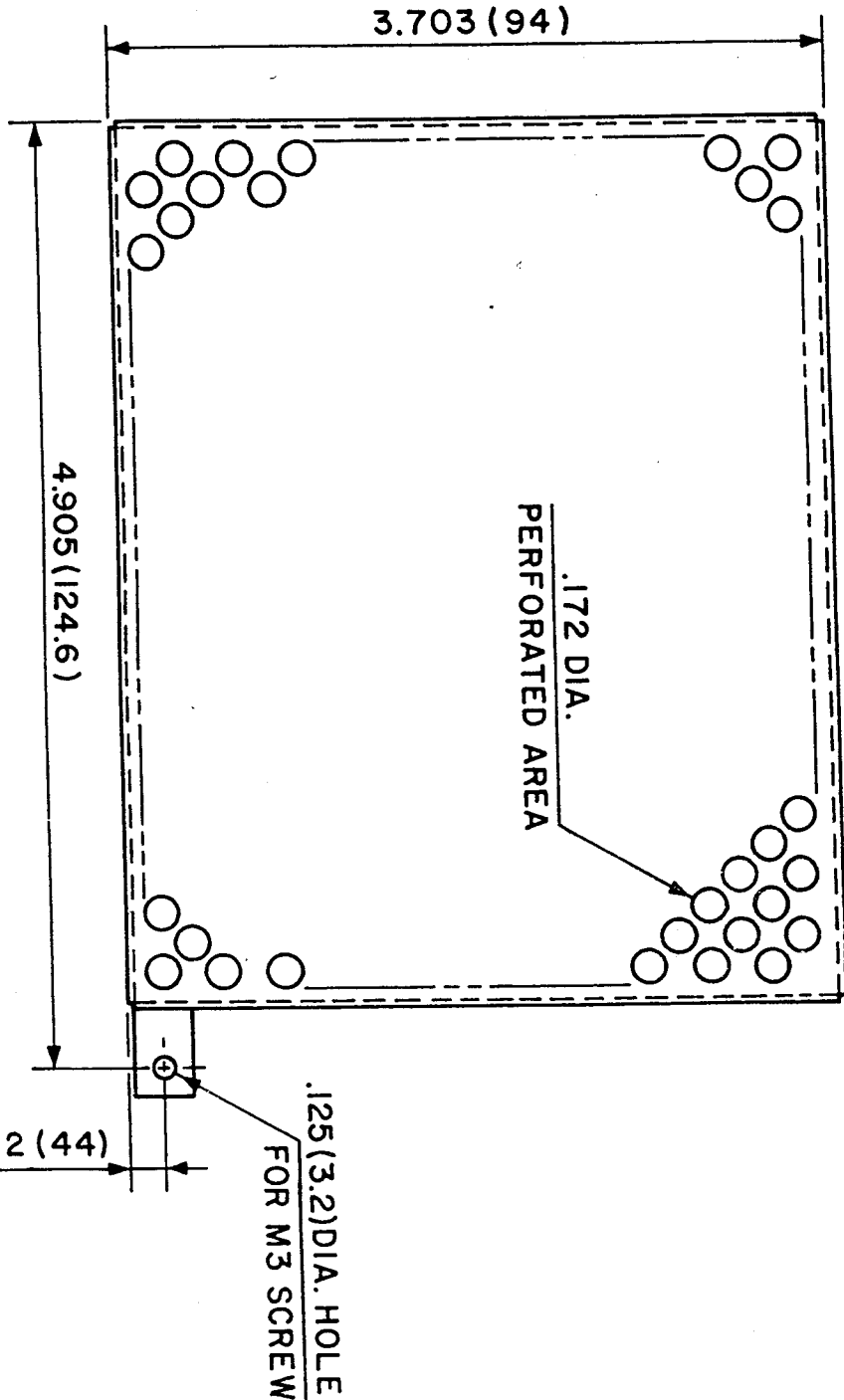
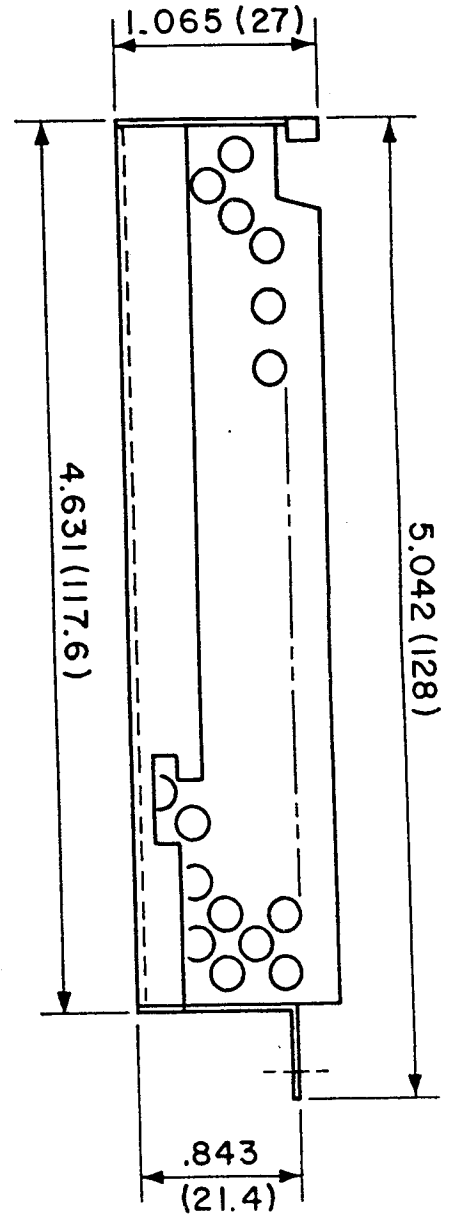
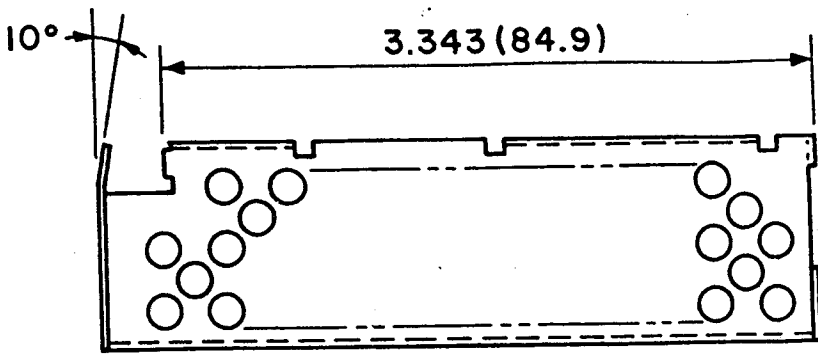
INSTALLATION:

- 1) Remove PCB Mounting screw marked (A) and set aside.
- 2) Attach Cover: Engage tabs marked (B) on cover and FAK chassis, apply a slight downward pressure at this inter-lock point and push cover forward. When cover is installed properly the FAK PC Card will rest on top of flanges marked (C) and mounting hole in cover will align with mounting hole in FAK PC Card marked (A).
- 3) Fasten cover with screw marked (A).



COVER INSTALLATION

- NOTES:**
1. Material: 0.024 (0.6) CRS.
 2. Finish: Zinc Plated, Chromate Wash.
 3. Dimensions in parentheses are in millimeters, others in inches.
 4. Tolerances: $\pm .04$ " (± 1) unless otherwise specified.



MECHANICAL OUTLINE DRAWING